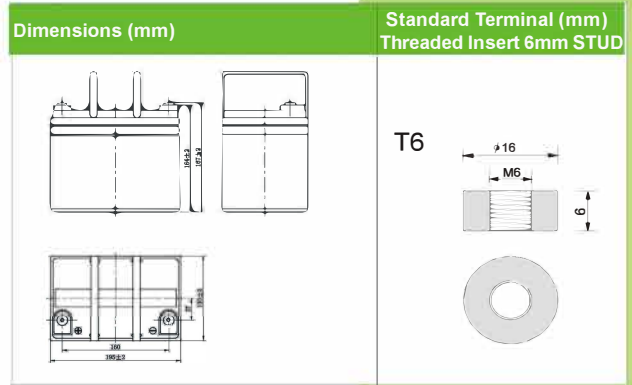
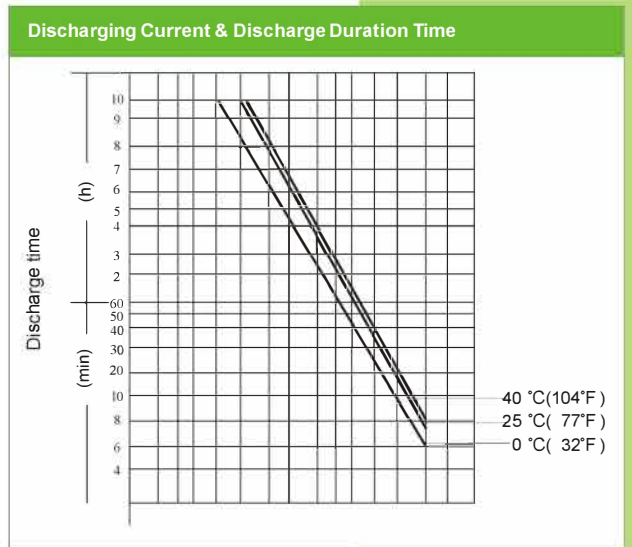


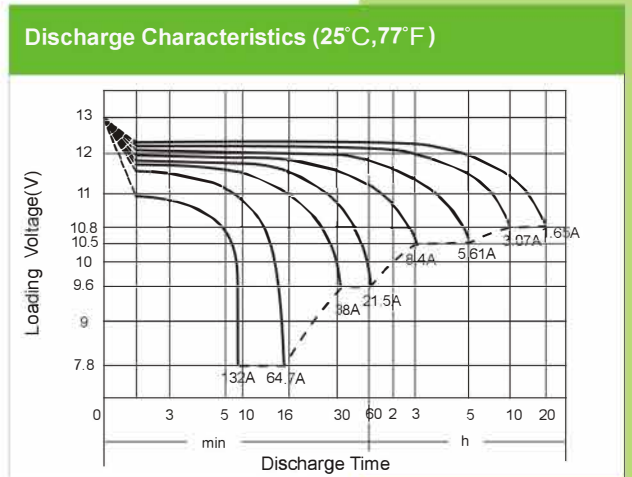
# BP12-35 (12V 35Ah)



| PHYSICAL SPECIFICATION  |                              |                          |
|-------------------------|------------------------------|--------------------------|
| Nominal Voltage         |                              | 12V                      |
| Nominal Capacity (20HR) |                              | 35AH                     |
| Dimension               | Length                       | 195±2mm (7.68 inches)    |
|                         | Width                        | 130±2mm (5.12 inches)    |
|                         | Container Height             | 164±2mm (6.46 inches)    |
|                         | Total Height (with Terminal) | 167±2mm (6.57 inches)    |
| Weight                  |                              | Approx 10.5kg (23.15lbs) |
| Standard Terminal       |                              | T6                       |



| ELECTRICAL SPECIFICATION         |                       |        |                  |         |   |
|----------------------------------|-----------------------|--------|------------------|---------|---|
| Rated Capacity                   | 20 hour rate (1.65 A) | 35.0AH | Constant Voltage | Cycle   | Initial Charging Current less than 10.5A. Voltage 14.4V~ 15.0V at 25°C (77°F)<br>Temp. Coefficient -30mV/°C |
|                                  | 10 hour rate (3.07A)  | 30.7AH |                  |         |   |
|                                  | 5 hour rate (5.51A)   | 27.6AH |                  |         |   |
|                                  | 1 hour rate (21.5A)   | 21.5AH |                  |         |   |
| Capacity affected by Temperature | 15min rate (64.7A)    | 16.2AH | Charge           | Standby | No limit on Initial Charging Current Voltage 13.5V~13.8V at 25°C(77°F)<br>Temp. Coefficient - 20mV/°C       |
|                                  | 40°C (104°F)          | 103%   |                  |         |   |
|                                  | 25°C (77°F)           | 100%   |                  |         |   |
|                                  | 0°C (32°F)            | 86%    |                  |         |   |



### Constant Current (Amp) and Constant Power (Watt) Discharge Table (25°C, 77°F)

| Amp/Watt/Cell | Time(minute)  | 5     | 10    | 15    | 20   | 30   | 45   | 60   | 120   | 180  | 300   | 600  | 1200 |
|---------------|---------------|-------|-------|-------|------|------|------|------|-------|------|-------|------|------|
|               | Final voltage | 1.3   | 1.3   | 1.3   | 1.3  | 1.6  | 1.6  | 1.67 | 1.7   | 1.75 | 1.75  | 1.75 | 1.8  |
| A             |               | 132.0 | 87.4  | 64.7  | 52.8 | 38.0 | 26.4 | 21.5 | 11.6  | 8.4  | 5.61  | 3.07 | 1.75 |
| W             |               | 223.4 | 151.6 | 115.5 | 96.5 | 70.5 | 49.9 | 41.1 | 25.74 | 16.5 | 11.11 | 6.17 | 3.50 |